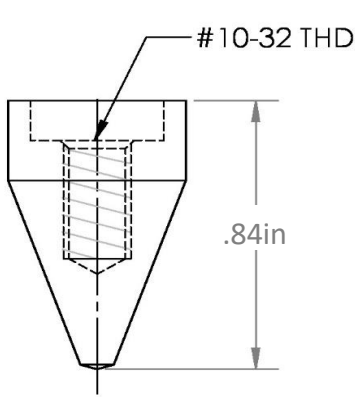
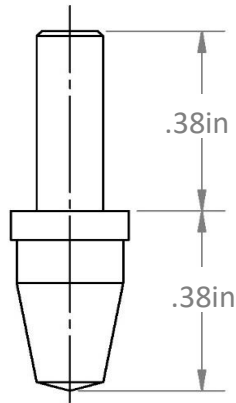


GILMORE DIAMOND TOOL

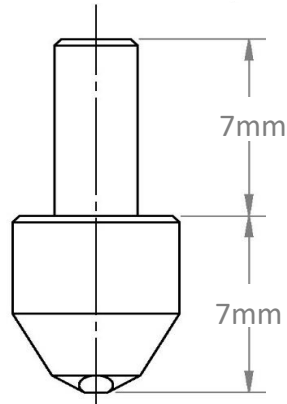
VICKERS AND KNOOP INDENTERS



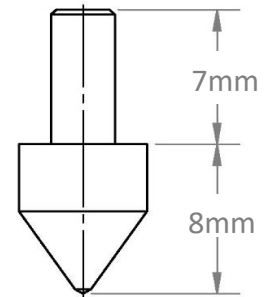
REF #901-V
REF #951-K
WILSON TUKON FB/MO



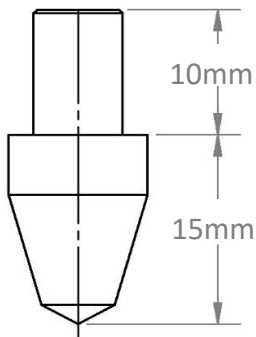
REF #902-V
REF #952-K
WILSON TUKON LL



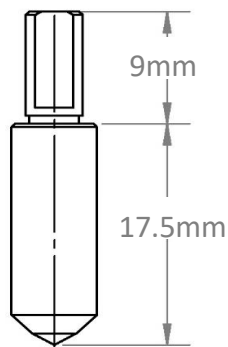
REF #903-V
REF #953-K
BUEHLER
MATSUJAWA



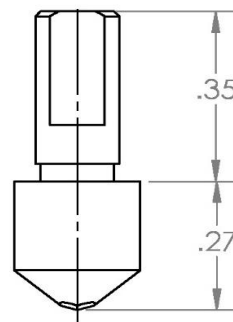
REF #904-V
REF #954-K
MITUTOYO
AKASHI
MVK
LECO-M400



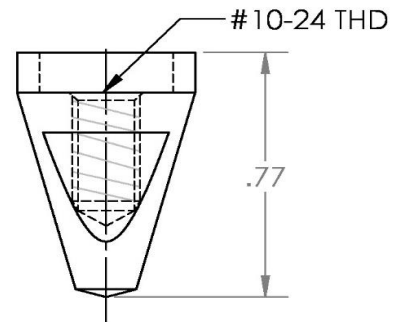
REF #905-V
REF #955-K
MITUTOYO
AKASHI
AVK



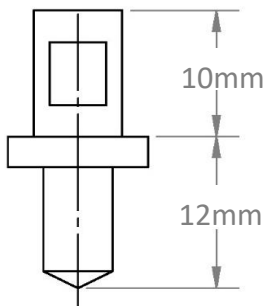
REF #906-V
REF #956-K
LEITZ
MINI LOAD



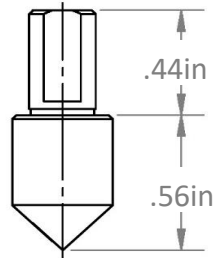
REF #907-V
REF #957-K
SHIMATZU TYPE M



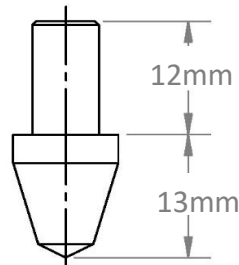
REF #908-V
VICKERS/ARMSTRONG



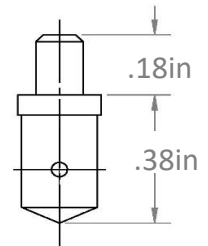
REF #909-V
REF #959-K
ZWICK



REF #912-V
REF #962-K
ROCKWELL HOLDER



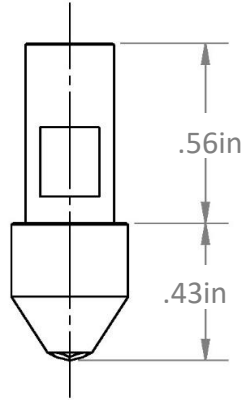
REF #913-V
REF #963-K
MATSUZAWA
FUTURE-TECH



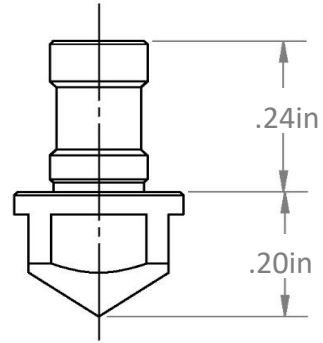
REF #914-V
REF #964-K
WILSON TUKON 2100

GILMORE DIAMOND TOOL

VICKERS AND KNOOP INDENTERS



REF #917-V
REF #967-K
NANOVEA



REF #918-V
REF #968-K
STRUERS